

OPERATION MANUAL



PG-SL



PG-SL - Gauge to calibrate SL-BND tools.

Read and understand all of the instructions and safety information in this manual before operating or servicing this tool.



195 Internationale Blvd
Glendale Heights, IL 60139
Phone 800-860-6170
Fax 800-345-3767
www.spartacogroup.com

THANK YOU...

for purchasing an Huskie Tools product. Our mission is to supply the finest steel cable connecting and cutting tools and cable-related products to the transmission and distribution markets. Huskie Tools products will represent state-of-the-art tools and be dependable and safe. All products will carry an unconditional guarantee to be free from defects and to perform as advertised.

Please take the time to read this manual carefully to learn how to correctly operate and maintain your tool.

Table of Contents

Registration/ Contents.....	2
Warranty.....	3
Safety & Specifications.....	4
Operations.....	5
Breakdown.....	6
Parts List.....	7

Warranty

Huskie Tools products carry a warranty that makes us a leader in the tool industry. No other manufacturer dares to back its tools as we do.

All Huskie REC-SERIES battery operated products carry a 5 year warranty. The ECO-SERIES battery operated products carry a 1 year warranty. The BP-80 & BP-84 batteries carry a 5 year warranty from the date stamped on the battery. The BP-82 battery carries a 1 year warranty.

PRODUCT WARRANTY

REC-Series battery operated products	5 Years
ECO-Series battery operated products	1 Years
Batteries (BP-80, BP-84)	5 years/ (BP-82) 1 year
Chargers (CH-90, CH-94)	5 Years

The warranty does not cover any damages incurred from a Huskie tool including damages to property, bodily injuries and lost wages resulting from such injuries. This warranty solely covers the repair or replacement of tools supplied by Huskie. These remedies are exclusive, and the total liability of Huskie Tools, LLC whether based on contract, warranty, negligence, indemnification, strict liability or otherwise, shall not exceed the purchase price of the tool. In no event shall Huskie Tools, LLC be liable for consequential, incidental or special damages.

HUSKIE TOOLS, LLC MAKES NO OTHER WARRANTIES OF ANY KIND, EXPRESSED OR IMPLIED, AND ALL IMPLIED WARRANTIES INCLUDING ANY WARRANTY OF MERCHANTABILITY AND FITNESS FOR A PARTICULAR PURPOSE ARE DISCLAIMED.

Huskie reserves the right to determine all warranty claims. Huskie will not warranty tools containing parts or batteries not originally supplied by Huskie. Failure due to misuse, improper maintenance, misapplication, not following instructions or warnings, abuse or repairs attempted by anyone other than Huskie Tools, LLC, or an authorized service center renders this warranty null and void.

Repair and Warranty Claims

All claims must be sent to Huskie for inspection and authorization. A Return Goods Authorization (RGA) is required before shipping tools to Huskie. Secure the authorization by telephoning or writing to Huskie's main office with details of the claim. Non-warranty repairs are handled using the same procedure. Repairs exceeding 50 percent of the cost of a new tool will be advised before repairs are made.

Payment Terms

Upon credit approval Huskie's standard payment terms are net-30 days. Visa, Mastercard, Discover and American Express are also accepted.

Freight

All Huskie tools are FOB, Glendale Heights, Illinois. Goods will be shipped pre-paid and added, unless otherwise specified. Freight shipments over \$17,000 are pre-paid.


Quotations

Special quantity quotations should be phoned in to discuss the scope of your tool requests.

Complete Support Services

Our customers have direct access to us for training, service, and problem solving. As specialists in tools, we maintain a trained repair staff and a large stock of parts. This contrasts with many tool suppliers who carry tools as a sideline without offering support services. Here are some reasons why our customers love to do business with us:

- Quick delivery
- We maintain inventory at our headquarters.
- Training and troubleshooting services.
- Fast repair service.
- Design and engineering service for special tool needs.



Safety Alert Symbol:

This safety alert symbol indicates a potential personal injury hazard; it is not used for messages related to property damage only.



Wear eye protection:

when operating this tool. Failure to wear eye protection could result in serious eye injury from flying debris.




DANGER Electrical Hazard.

Electric Shock hazard:

Use proper personal protective equipment when using this unit on or near energized electrical lines.

Pinch Point Hazard:



Compression Dies at high force can cause severe personal injury. Keep all body parts away from moving parts of the tool while operating.

SPECIFICATIONS

PG-SL

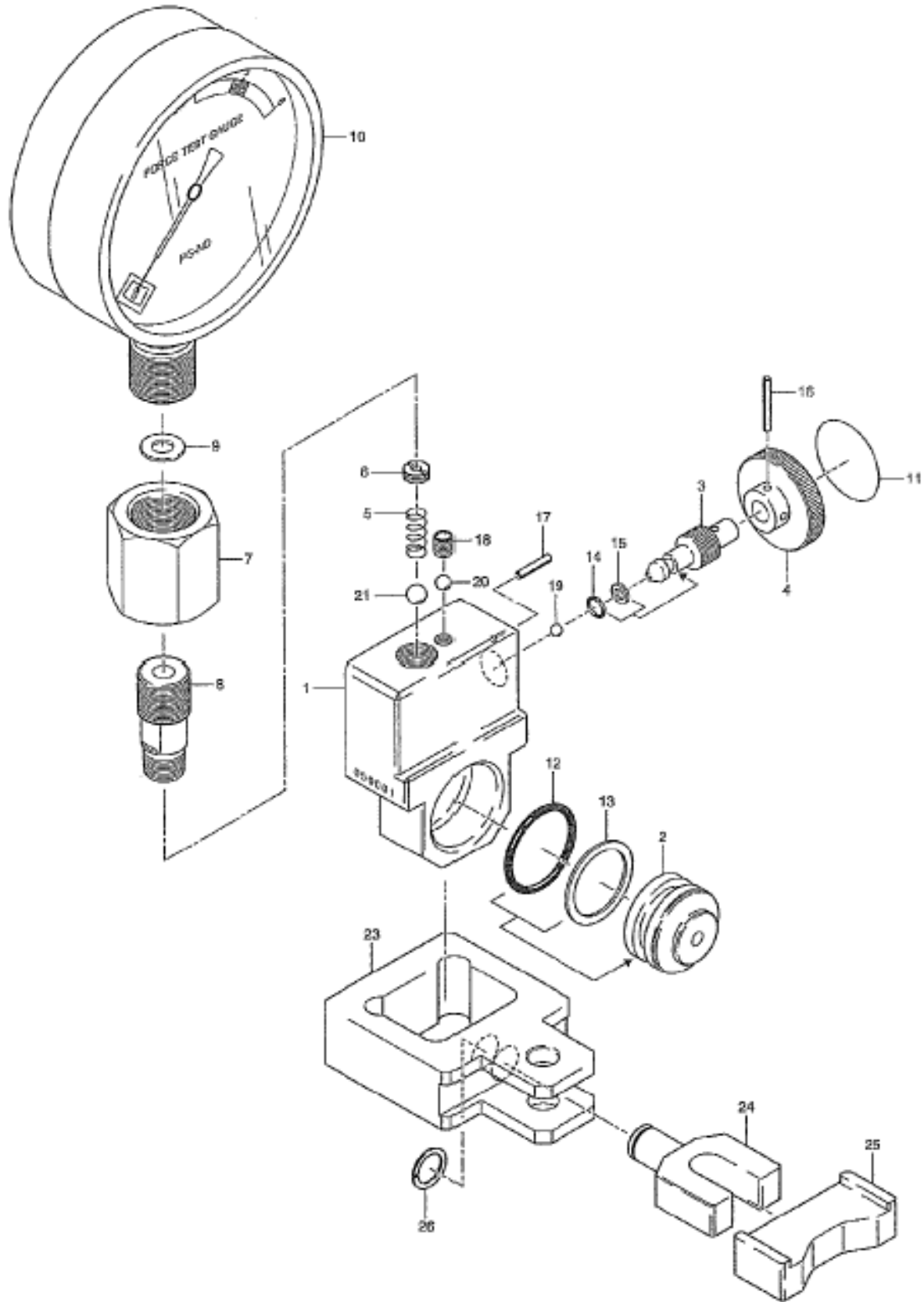
Specifications PG-610A	
Description	Test Gauge Kit
Weight	3.4 lbs.
Dial Face	4"
Size	9.4" x 4" x 1.5"

The **PG-SL** gauge is for SL-BND tools with pull-pin.





1. Turn the release knob on the side of the gauge body to the hold position.
2. Remove the compression head by engaging the pull pin.
3. Insert the attachment (#25) into the body head, and then attach the gauge head (#23 pre-assembled with
4. Position the gauge so the pistons are aligned and fully seated and centered in the holder. It is important that the gauge is centered in the holder to avoid damage caused by side loading (See figure 2).
5. Advance the ram on the compression tool until it contacts the gauge. Make sure that the gauge is still centered after contact. Then advance the tool under pressure until reaches the by-pass stage.
6. With the gauge in the hold position, the output reading will remain even after the tool pressure is released. Use caution when releasing the tool pressure as not to drop the gauge onto the floor or table top.
7. Turn the release knob back to the release position to relieve pressure in the gauge.



NO.	DESCRIPTION	CODE	QTY.
1	Cylinder	PGSL-01	1
2	Rem	PGSL-02	1
3	Release Screw	PG2-07	1
4	Release Knob	32-15	1
5	Spring (102)	HR-18	1
6	Screw (13)	PG2-04	1
7	Adapter	PG-02	1
8	Switch Plug	RA-69	1
9	Copper Geekat (3)	RF-04	1
10	Pressure Gauge	PG-01A	1
11	Label	PG2-08	1
12	P-24 O-Ring	85-17	1
13	P-24 Back-Up Ring (B.C.)	85-16	1
14	P-4 O-Ring (U570)	PG15-05	1
15	P-4 Back-Up Ring (B.C.)	410-47	1
16	2.5 X 20 Drive Pin (AW)	32-13	1
17	2.5 X 14 Drive Pin (AW)	510-10	1
18	M6 X 6 Screw (F.P.)	40U-14	1
19	5/32" Ball	22-21	1
20	3/16" Ball	16-49	1
21	1/4" Ball	26-22	1
23	Attachment (1)	PGSL-03	1
24	Attachment (2)	PGSL-04	1
25	Attachment (3)	PGSL-05	1
26	CB-12 Snap Ring	55-09	1



195 Internationale Blvd
Glendale Heights, IL 60139
Phone 800-860-6170
Fax 800-345-3767
www.spartacogroup.com